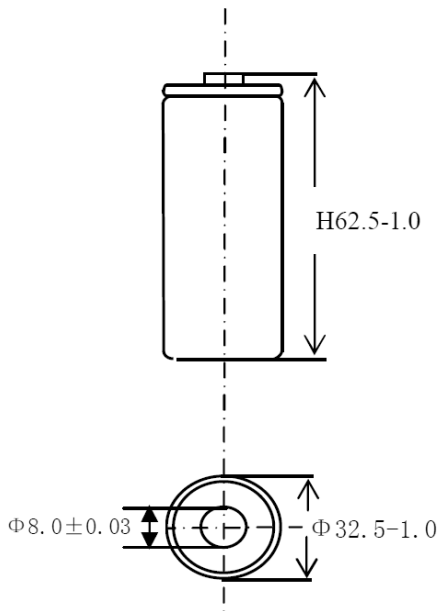


Ni-MH “Ready to Use” Rechargeable Battery R20 D 5500 mAh



Designation IEC:	HRL20
Nominal voltage:	1.2V
Designed capacity:	5500 mAh
Typical capacity:	5000 mAh (IEC 61951-2, 7.3.2)
Cycle life:	>500 according to IEC standard
Standard charge:	500 mA / 16 h
Internal impedance:	≤15 mΩ (fully charged)
Weight:	110 g
Dimensions:	62.5 x 32.5 mm
Temperature ranges:	long-term storage: -20..35°C application/discharge: -20..50°C charge: 0..45°C

Discharge characteristics (load 0.2C – 1000 mA):

Voltage (V)

