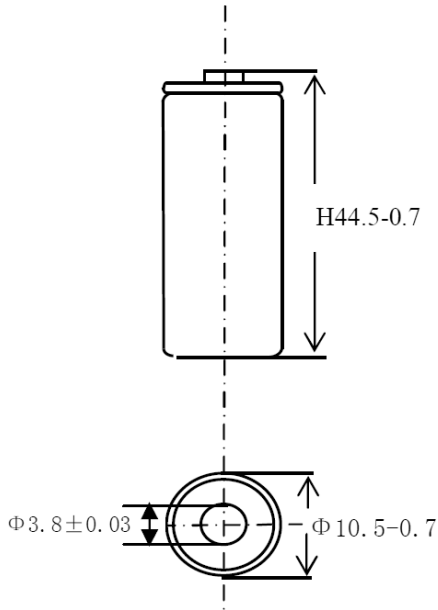


Ni-MH "Ready to Use" Rechargeable Battery R03 AAA 1050 mAh



| | |
|----------------------------|---|
| Designation IEC: | HRL03 |
| Nominal voltage: | 1.2V |
| Designed capacity: | 1050 mAh |
| Typical capacity: | 1000 mAh (IEC 61951-2, 7.3.2) |
| Cycle life: | >500 according to IEC standard |
| Standard charge: | 100 mA / 16 h |
| Internal impedance: | ≤35 mΩ (fully charged) |
| Weight: | 14.5 g |
| Dimensions: | 44.5 x 10.5 mm |
| Temperature ranges: | long-term storage: -20..35°C application/discharge: -20..50°C charge: 0..45°C |

Discharge characteristics (load 0.2C – 200 mA):

Voltage (V)

